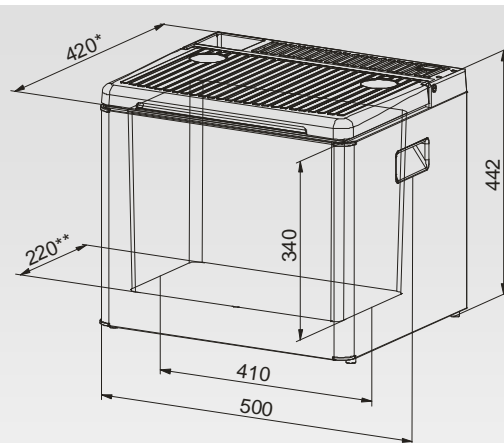


# Model: RC 1600 EGP



**\*Gas connection not included**  
(gas connection max: + 35 mm)  
**\*\*Evaporator plate not included**  
(evaporator plate: -50 mm)



## Technical data

Gross volume	35 litres (net 33 l.)
Net weight	15 kg
Outside dimensions (nominal) Height x Width x Depth	442 x 500 x 420 mm
Inside dimensions (nominal) Height x Width x Depth	340 x 410 x 220 mm
Packaging dimensions - Height x Width x Depth - Volume - Weight	510 x 560 x 505 mm 0,144 m <sup>3</sup> 17 kg
Body	Durable plastic-coated cabinet Metallic rear cover CFC and HCFC free insulation
Colour	Silver cabinet, Light gray lid, grill and handles
Cooling unit	Absorption Virtually silent
Operation	3 ways (12 V / 230 V / gas)
Ice making facility	12 cubes covered ice tray Removable ice tray Ice cubes even at 32°C

Tilt insensitivity	3 degrees
Consumption*	
- Electricity	1,35 kWh/24h approx.
- 12 V	150 Ah/24h approx
- Gas**	252 g/24h approx max.
- Gas**	187 g/24h approx min.
<i>(*Average consumption at 25°C ambient according to ISO standards)</i> <i>(**Average consumption for 30 mbar propane)</i>	
Regulation	Thermostat on 230 V Valve 2 positions on gas
Gas operation	Piezo igniter
Electricity operation	75 W max. input 12 V / 230 V
Cable length	230 V : 1,5 mm / 12 V : 2,5 m
Other features	Hermetically sealed lid Robust construction thanks to its plastic coated cabinet Integrated carrying handles Flat lid especially designed to be used as a table tray
Variants	RC 1600 EGP 12 V or 24 V RC 1600 EE 12 V or 24 V RC1600 E 24 V
Factory certifications	ISO 9001 - ISO 14001